



INSTALLATION MANUAL

Holley Sniper 1 Throttle Cable Bracket

PFETCSB-SNIP

Included Items	QTY
Throttle Cable Bracket	1
Return Springs	1
Throttle Bracket Stop	1
Set Screw with Jam Nut	1

WARNING: PLEASE READ ALL INSTRUCTIONS BEFORE PROCEEDING. PROFLOW WILL NOT BE RESPONSIBLE FOR ANY DAMAGE AS A RESULT OF THE INCORRECT INSTALLATION OF THIS PRODUCT. IT IS RECOMMENDED THAT A QUALIFIED AUTOMOTIVE TECHNICIAN PERFORMS THIS INSTALLATION.

TYPICAL INSTALLATION

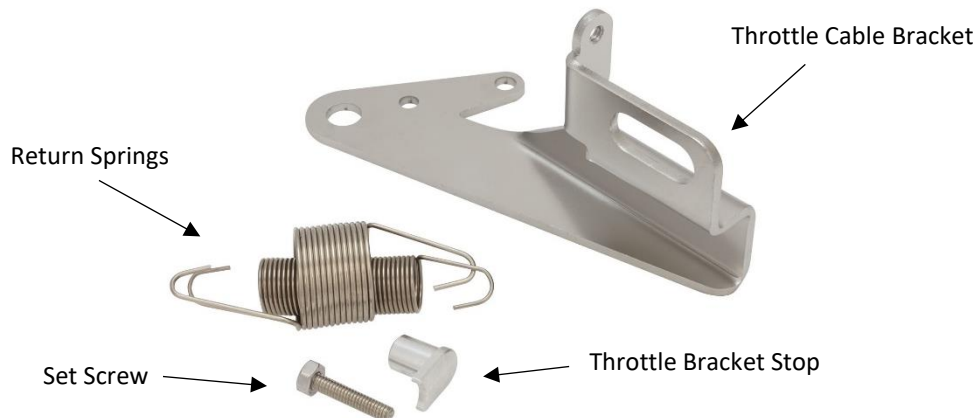


Figure 1

1. Remove the throttle body mounting bolt from the driver side rear corner of the throttle body. Referring to *Figure 2 & 3*, position the cable bracket and then drop the throttle body stop in the unused mounting bolt hole at that corner of the throttle body base. Reinstall the throttle body mounting bolt and snug down finger tight (do not fully tighten at this stage).
2. Use a 5/64" allen wrench to loosen the jam nut on the set screw in the cable bracket. Turn the set screw in until it touches the throttle body base. Use the set screw to adjust the angle of the throttle cable bracket until the back of the bracket is parallel to the back of the throttle body base. Then use a 5/16" wrench to tighten the jam nut to lock the set screw in place.
3. Tighten the throttle body base mounting bolt fully.

4. Connect the rear ends of the return springs to the lowest hole in the throttle cable bracket. Connect the front ends of the return springs to the small hole at the rear edge of the lower part of the throttle lever. See *Figure 4*.
5. Install you throttle cable and kickdown cable (if applicable).

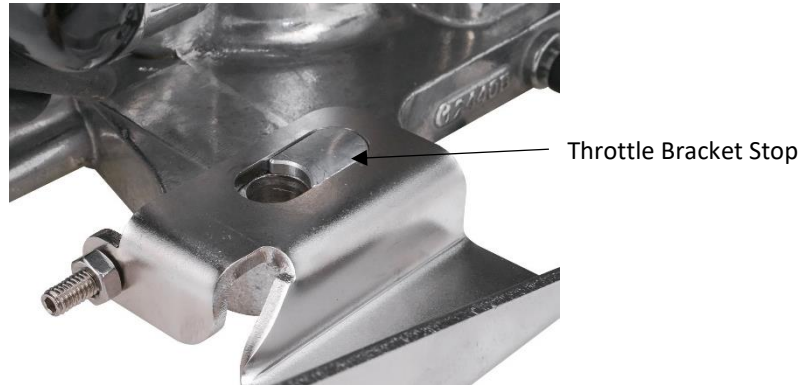


Figure 2

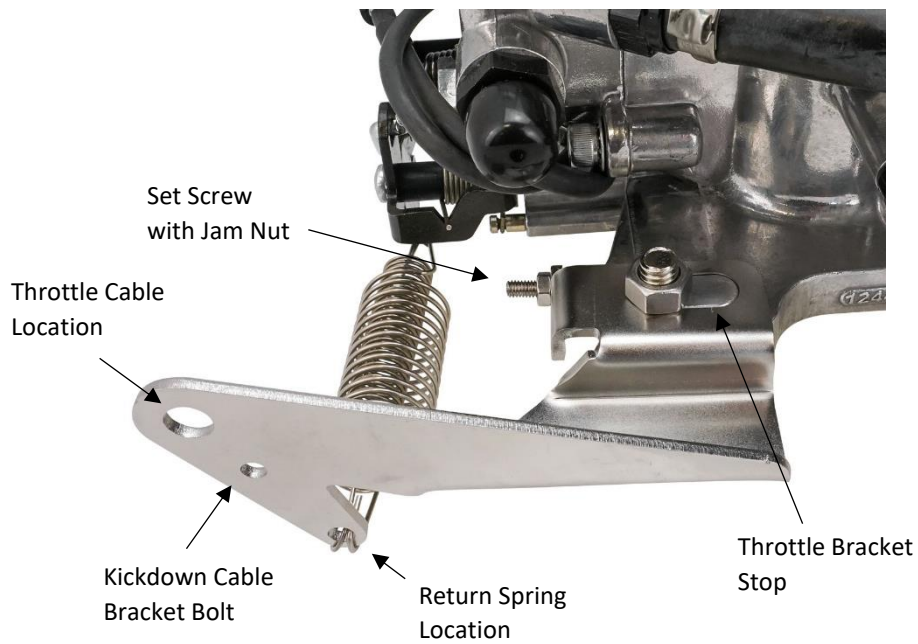


Figure 3

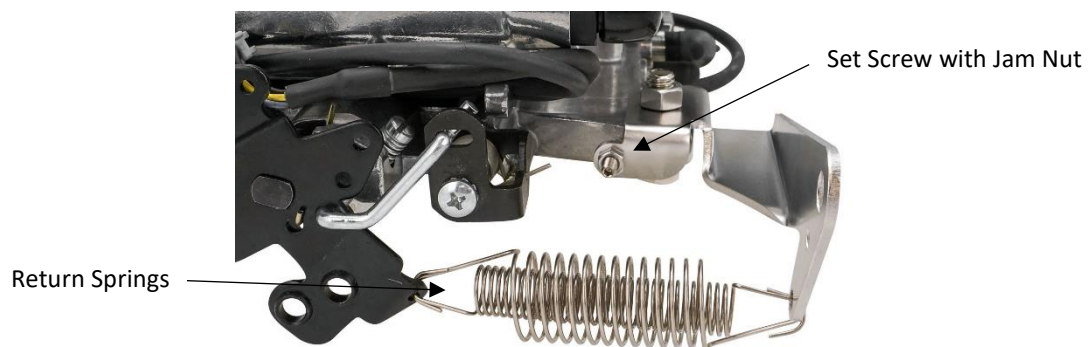


Figure 4